

Pressure Gauges / Accessories / Pressure Syphons

**CONSTRUCTIVE PROPERTIES**

	STANDARD	OPTIONAL
Mounting Type	Vertical	-
Material	Steel Pipe	Stainless Steel AISI-316L
Connection	G 1/2" B	1/2" NPT
Temperature Drift	-	-
Nut / Clamp Connections	Steel	Stainless Steel AISI-316L
Operating Pressure & Temperature	100 bar - 120 °C	60 bar - 400 °C   80 bar - 300 °C
Pipe Ø	20mm.	-

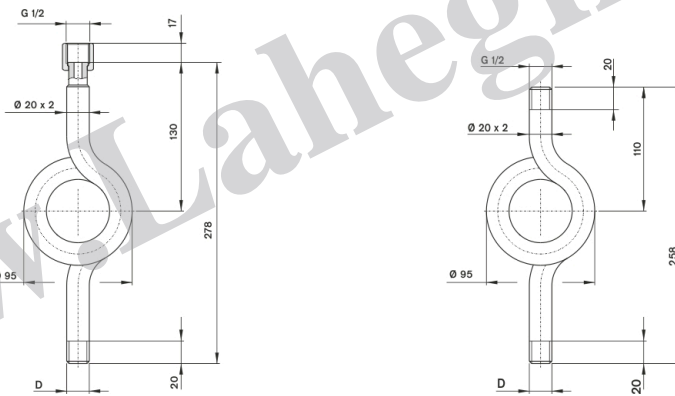
**USAGE PROPERTIES**



**1047900**

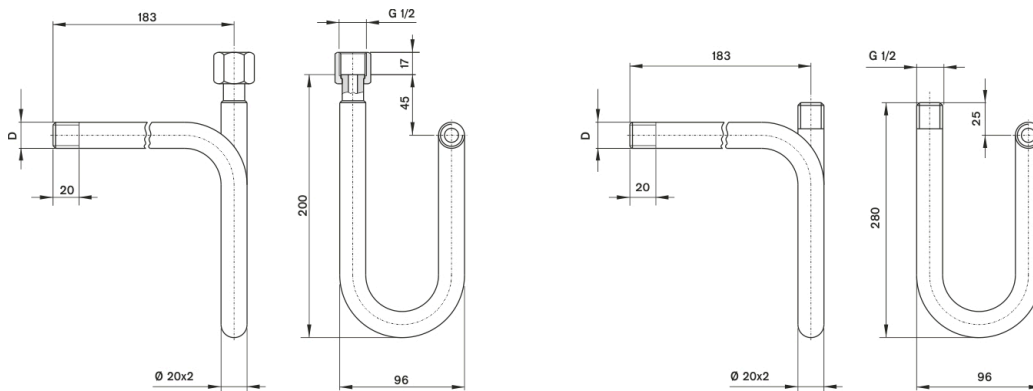


**1047200**



Model No: 1047

Vertical

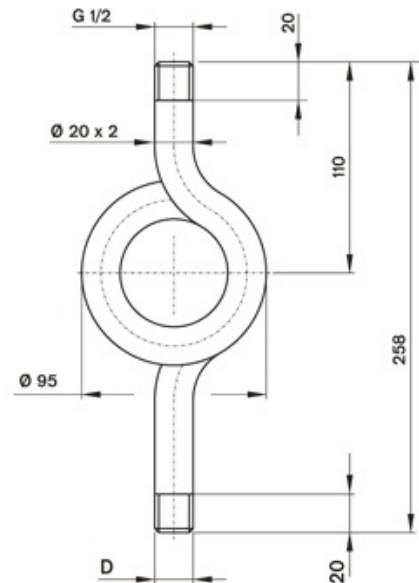
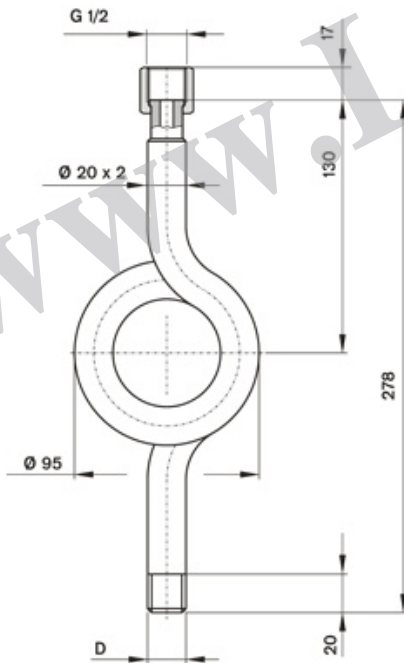


Model No: 1046

Vertical

**ACCESSORIES FOR PRESSURE GAUGES**  
**PRESSURE SYPHONS**

**11.01**



O Syphon with Union			
	D	Gr.	Model No
Carbon Steel	G 1/2"	585	1047 04 04
	1/2" NPT	660	1047 04 03
St. Steel	G 1/2"	585	1047 20 04
	1/2" NPT	660	1047 20 24

O Syphon with Union			
	D	Gr.	Model No
Carbon Steel	G 1/2"	445	1047 900 404
St. Steel	G 1/2"	445	1047 040 407